

HUSSMANN®

GSVM

Specialty Vertical Merchandisers

Shown With Optional Wraparound Bumper and One Additional Shelf



IR Ingersoll Rand

Specialty Vertical Merchandisers



GSVM-4060, GSVM-4072, GSVM-5272 Self-Contained and Remote Medium Temperature Displays for Produce, Dairy, Beverages and Deli Products... Salads, Pizza, Fresh Entrees, Cheese, and Floral

Design

The contemporary styling of the GSVM places maximum attention on merchandising. The narrow canopy and plexiglass side panels increase product visibility. All GSVM merchandisers have the same contour and line up together to create extended product displays.

Merchandising

Maximize display flexibility with a choice of three models... increase product facings with the GSVM-5272 or create an end cap spot display with the GSVM-4060 or GSVM-4072. The large, open front allows easy access to display levels for merchandising or shopping. Canopy and shelf lighting add more product illumination throughout the merchandiser.

Construction

Easy to clean interior and exterior. Easy to service slide out condensing unit. CFC-free foamed-in-place urethane insulation. Timer controlled automatic defrost. Electric condensate removal (Model GSVM-4060 only). Thermometer. Two-positioned lighted cantilever shelves.

Refrigeration

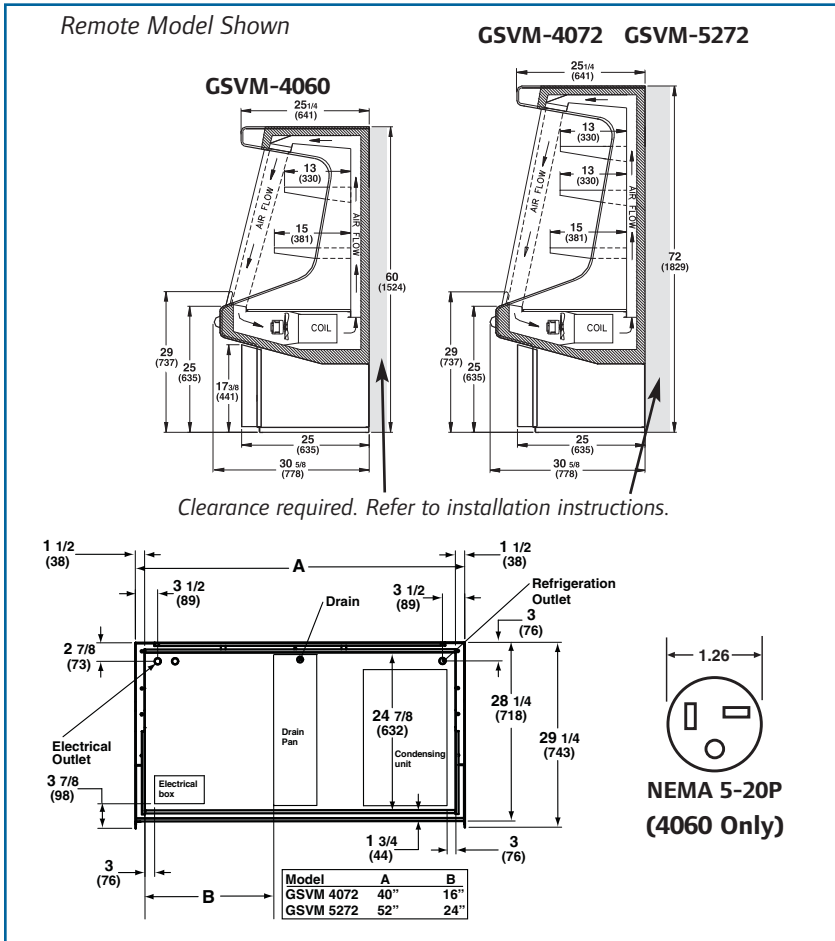
Models GSVM-4060 and GSVM-4072 have front air intake and discharge. The GSVM-5272 has front air intake and rear air discharge which requires a 5" minimum open space behind the back of the case. State-of-the-art honeycomb discharge air system assures even temperature throughout...with maximum efficiency. Adjustable temperature control.

Warranty

For detailed warranty information, visit www.hussmann.com.

Optional Accessories

- Additional Shelving
- Choice of Exterior Colors
- Wraparound Bumper
- Stainless Steel Exterior
- Legs
- Night Cover (Standard in GSVM-5272)
- Remote Application
- Cross Bar and Hook Display
- Casters
- Locking Security Cover
- High Humidity Condensate Pan Kit (GSVM-4072 & GSVM-5272 Models) 9-Amp, 120-Volt, 1000-Watt, Requires Dedicated 15-Amp Circuit



Model	Exterior Dimensions			Nominal H.P.	Refrig.	Hz/Ph	Electrical				Approx. Ship Wt. (LBS)
	L	D	H				Volts	Run Amps	Fuse Amps	NEMA Plug	
GSVM-4060	40"	30 5/8"	60"	3/4	R-134a	60/1	115	16	20	5-20P	380
GSVM-4060-R	40"	30 5/8"	60"	-	R-134a	60/1	115	5.0	15	hardwired*	308
GSVM-4072	40"	30 5/8"	72"	3/4	R-134a	60/1	115	17.0	25	hardwired*	425
GSVM-4072-R	40"	30 5/8"	72"	-	R-134a	60/1	115	5.0	15	hardwired*	353
GSVM-5272	52"	30 5/8"	72"	3/4	R-134a	60/1	115	19.5	25	hardwired*	600
GSVM-5272-R	52"	30 5/8"	72"	-	R-134a	60/1	115	5.0	15	hardwired*	501

*Requires field wiring. Length dimensions are without optional bumpers.

Model	*Refrigeration Load (BTU/h)	A/C Load (BTU/h)
GSVM-4060	4410	6068
GSVM-4060R		-
GSVM-4072	4410	6068
GSVM-4072R		-
GSVM-5272	4610	6340
GSVM-5272R		-

Refrigeration load calculated at 20° F evaporation and 110° F condensing temperature



NOTE: Drain plumbing hook-up recommended. Optional condensate pan available if there is no access to drain plumbing. Condensate pan must be field installed and requires a dedicated 15-Amp, 120-Volt Circuit. Applies to Models GSVM-4072 and GSVM-5272 only.

These merchandisers are designed for use in stores when temperature and humidity do not exceed 75°F and 55% RH. Case is designed for holding pre-chilled product only.

We reserve the right to change or revise specifications and product design in connection with any feature of our products. Such changes do not entitle the buyer to corresponding changes, improvements, additions, or replacements for equipment previously sold or shipped.

Web Site: www.hussmann.com

