

# HUSSMANN®

F6, F6L

## EXCEL

*Low Temperature Open Multi-Deck Merchandiser*



**IR** Ingersoll Rand

# Low Temperature Open Multi-Deck Merchandiser

**HUSSMANN®**  
**Excel**

F6 - Medium 27" Front Height, Low Temperature Open Multi-Deck  
F6L - Low 23" Front Height, Low Temperature Open Multi-Deck  
Available in 4', 6', 8' and 12' lengths

## Low Temp Multi-Deck Merchandising

The F6 delivers both low temperature, open multi-deck merchandising and energy efficiency. Due to modular coils and other design improvements, the F6 is 8 - 10% more energy efficient than previous low temperature open multi-deck models.

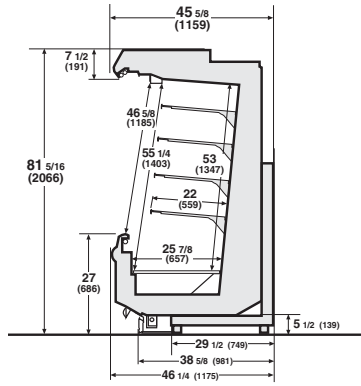
## Modular Design

The F6 has modular construction and 4' modular coils. The modular coils are located in the back wall, not in the bottom, and they use 50% less refrigerant than full length coils.

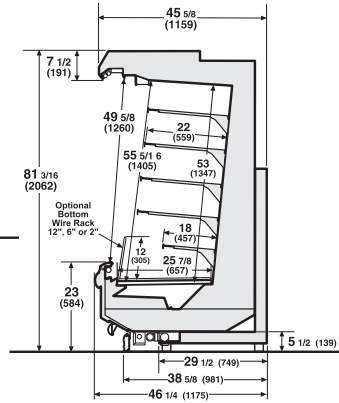
## Shelving

The F6 has a bottom well plus up to five 22" shelves. The lowest shelf is also available in 14", 16" and 18" depths to allow easy access to the well. Deep bottom well product stop available for low front.

**F6**



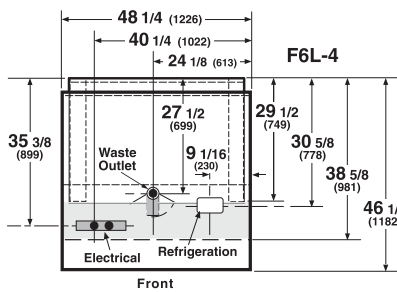
**F6L**



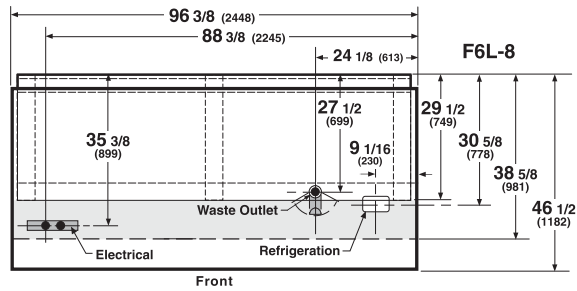
Note: Please use Hussmann's technical data sheets to get precise dimensions for all store layout purposes.

## F6 and F6L Plan Views

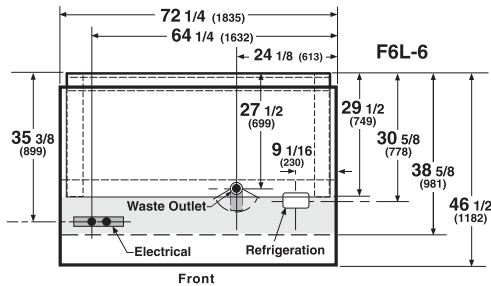
**4'**



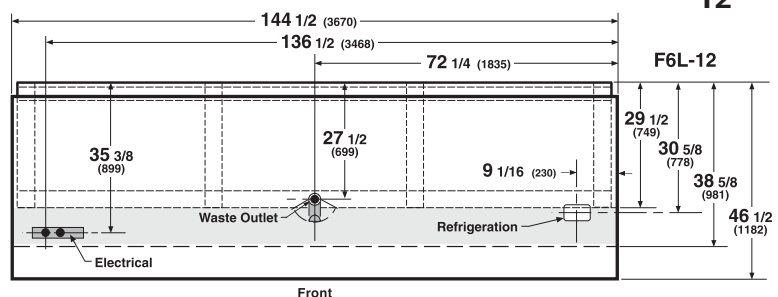
**8'**



**6'**



**12'**



NOTE: These merchandisers are designed for use in stores when temperature and humidity do not exceed 75°F and 55% R.H.

NOTE: (We reserve the right to change or revise specifications and product design in connection with any feature of our products. Such changes do not entitle the buyer to corresponding changes, improvements, additions, or replacements for equipment previously sold or shipped.)



Web Site: [www.hussmann.com](http://www.hussmann.com)  
E-mail: [hussmann-marketing@irco.com](mailto:hussmann-marketing@irco.com)

Hussmann Corporation  
12999 St. Charles Rock Rd.  
Bridgeton, MO 63044-2483  
(314) 291-2000  
(314) 298-4756 Fax